

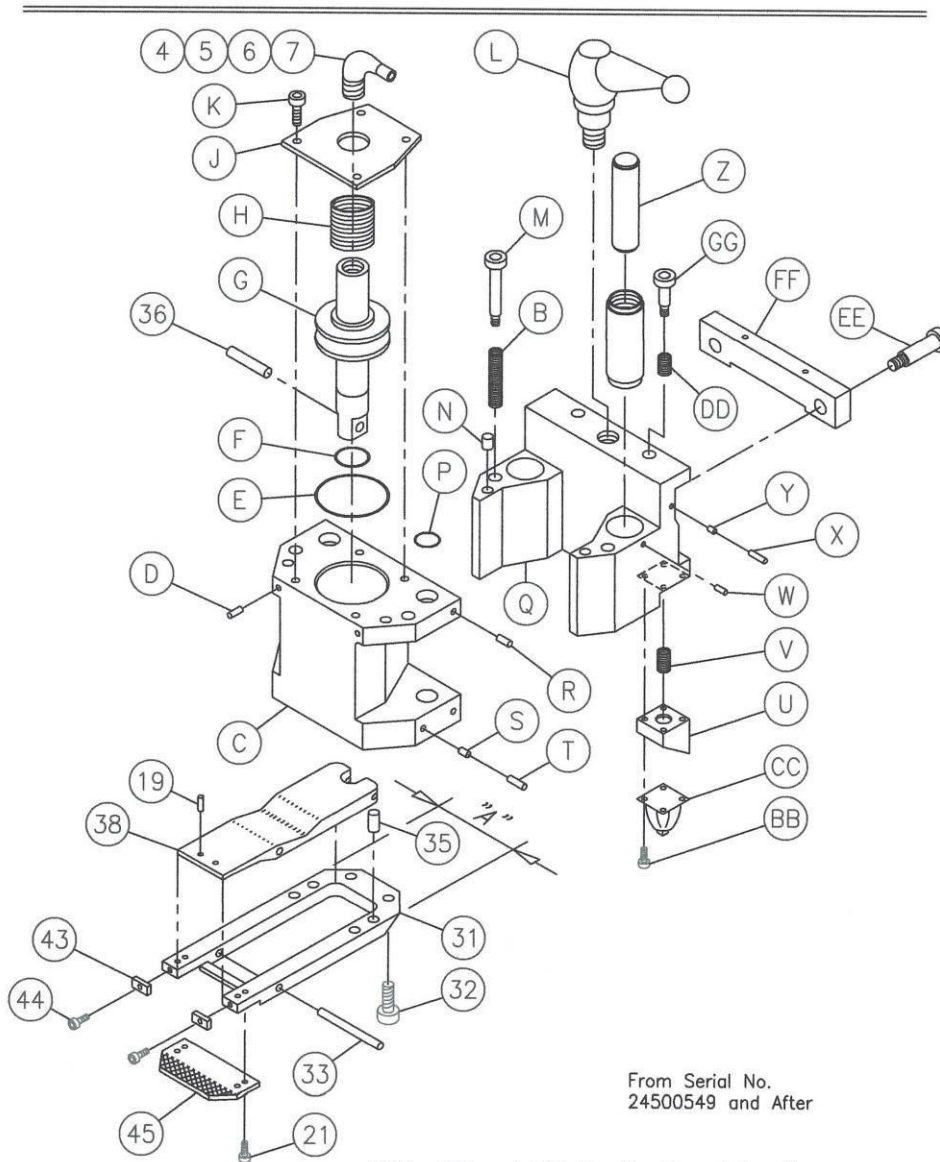


8553 N. Beach Street #353
 Fort Worth, Texas 76244-4919
 PHONE 817-354-4200 FAX 817-354-0723

Email sales@harrisonindustrial.com Home Page www.harrisonindustrial.com

Aries – 245 and 222

SEE NOTE



From Serial No.
 24500549 and After

NOTE: 245 and 222 May Use One of Two Clamp
 Assemblies Based on Width, 3.150 or 2.500.
 To Define Which Unit, Measure Distance "A"
 If "A"=3.150 Refer to Mod. MH2MCO
 "A"=2.500 Refer to Mod. MH9MCO